



ETC ILB_-15/200 Integral Loadbreak Bushing

For 15kV,200A



ETC ILB_-15/200
Integral Loadbreak Bushing

General:

The ETC ILB_-15/200 Integral Loadbreak Bushing ("_" A-universal; B,C-lengthened) combines the advantages of reliable integral design with the operating features required for three-phase switching. The bushing is designed for pad mounted transformers, switchgear and other apparatus filled with transformer oil, or an approved equivalent. It eliminates the insert-to-well interface present in bushing well and insert primary terminations.

The ETC ILB_-15/200 Integral Bushing includes three kinds. Type A is used in oil-insulated apparatus and type B and C is suitable for the air-insulated devices.

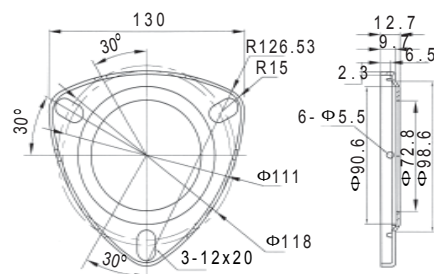
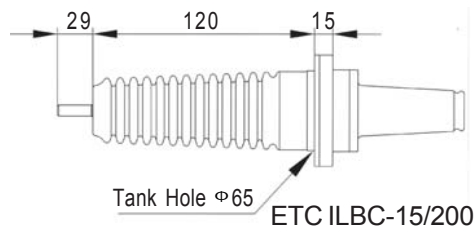
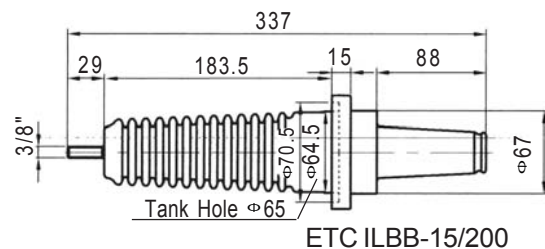
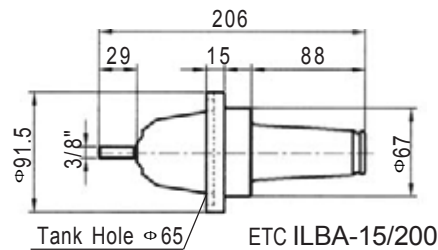
Electrical Characteristics:

Voltage Ratings and Characteristics	
Description	kV
Standard Voltage Class	15
Maximum Rating Phase-to-phase	14.4
Maximum Rating Phase-to-ground	8.3
AC 50 Hz 1 Minute Withstand	42
DC 15 Minute Withstand	53
BIL and Full Wave Crest	95
15kV Partial Discharge	≤10pC
Current Ratings and Characteristics	
Description	Amperes
Continuous	200A
Switching	10 operations at 200A,14.4kV
Fault Closure	10kA
Short Time	10kA rms symmetrical for 0.2s
	3.5kA rms symmetrical for 3.0s
Electrical Characteristics are in accordance with or exceed GB/T 12706.4-2002, ANSI/IEEE 386-1995, IEC 60502-4:1997.	

Standard Packaging List:

1	Integral Loadbreak Bushing
2	Red Shipping Cap
3	Gasket
4	3-Stud Clamp
5	Installation Instruction Sheet
6	Quality Certificate

DIMENSIONS(mm)



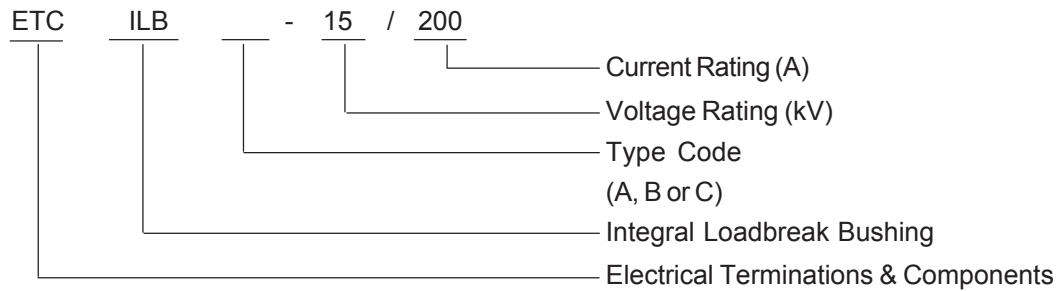


200-12

Ordering Information:

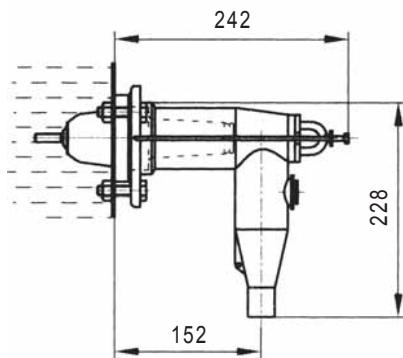
Catalogue Number	Voltage Rating(kV)	Current Rating (A)
ETC ILB_-15/200	15	200

Code Information:

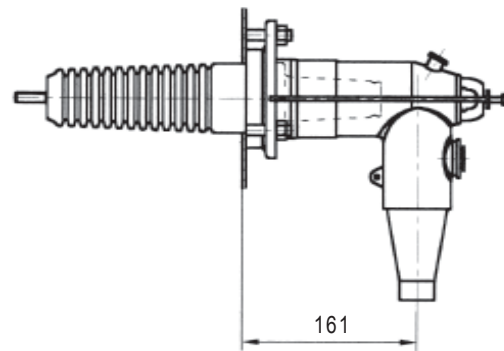


Typical Arrangement:

- (1) 200A Integral Loadbreak Bushing + 200A Loadbreak Elbow Connector + Clamping Assembly
- (2) 200A Integral Loadbreak Bushing + 200A Loadbreak Elbow Connector + Clamping Assembly



(1)



(2)

Important:



Hold tucked fringe of the clamping flange against the bushing, otherwise the tank will not be sealed well.

More Information for cable accessories, installation instructions, technical questions. Please contact your local Electrical Terminations & Components representative or visit our website <http://www.etcaustralia.com.au>